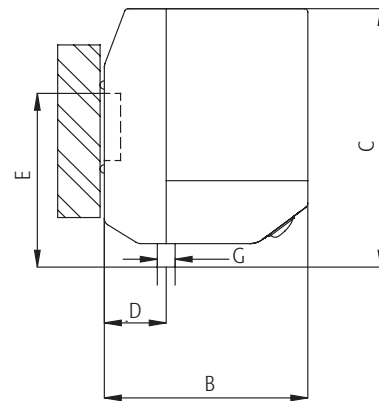
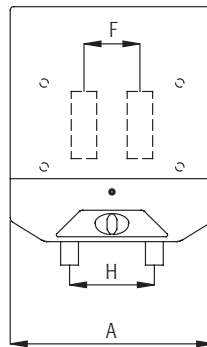


> NOVO FITS EVERYWHERE



- > Reinforced hanging bracket with internal steel bar
- > Capillary thermostat for temperature management
- > High concentration magnesium anode
- > ON/OFF switch
- > Temperature adjustment, with LED for setpoint achieved
- > Pressure relief valve, set to 6 bar
- > Electric cable included (without plug)

*S = Under-sink



NOVO			5	5 S*	10	10 S*
Dimensions	A	mm	240	240	240	240
	B	mm	240	240	240	240
	C	mm	285	285	440	440
	D	mm	76	76	76	76
	E	mm	252	114	265	125
	F	mm	66	66	66	66
	G	inches	1/2" M	1/2" M	1/2" M	1/2" M
Diameter	H	mm	100	100	100	100
ErP Class		(G - A Class)	B	B	B	B
Capacity		litres	5	5	8	8
Heating time	ΔT 35° C	min.	6.4'	6.4'	10.3'	10.3'
	ΔT 45° C		8.3'	8.3'	13.2'	13.2'
Power		kW	2			
Voltage			220~240 V 50-60 HZ			
Weight	Empty	Kg	4.5	4.5	6.5	6.5
	Full		9.5	9.5	14.5	14.5
CODE			GRWCXASA	GRWDXASA	GRWCTASA	GRWSTASA

FEATURES



OPERATING LIGHT



TEMPERATURE
ADJUSTMENT



INGRESS
PROTECTION IPX4



RUST FREE



ON/OFF SWITCH